

Photometer Check and Adjustment




Scil Vet ABC Plus+

Note: *The photometer should read between 220 and 245*

Tools Required:

- 2.5 mm Allen wrench screw driver (Vet ABC Screwdriver)
- Precision Flat head screwdriver

STEP

1. Log in as TECH (password: 01HB05) 
2. Press the Maintenance Button 
3. Press the Adjustment Menu 
4. Press the “Gains” tab at the top of the screen
5. Press the purple dot beside Photometer
6. Press the “Adjust” button
7. A cycle will begin and after a short time a number is displayed on the screen for 30 seconds. Record this number. If the number is above or below the target values, indicated at the top of this page, proceed with the photometer adjustment Step#8
8. Remove the Main cover. Follow the cover removal procedure found on the scil Vet Novations Website under Service Downloads. <http://www.scilvet.com/ca/Service/Download>
9. With the cover removed, identify the small brass screw attached to the rectangular VR97 POT on the top right area of the main circuit board. You will need to turn this screw clockwise to increase and counter clockwise to decrease the value displayed on the screen during the photometer check.

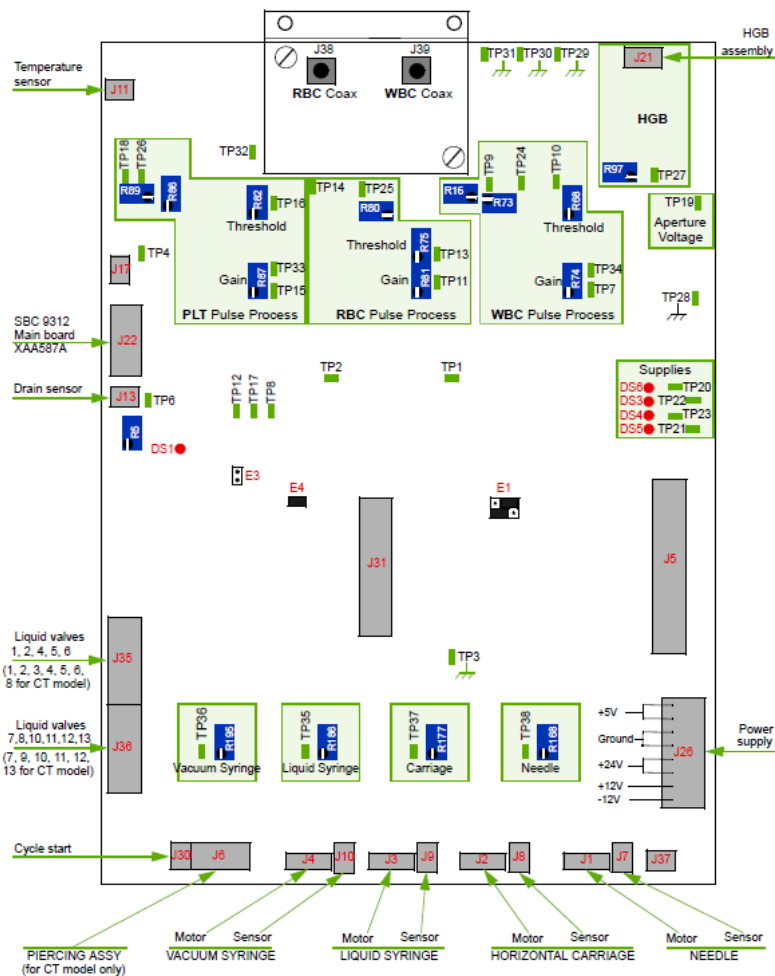
The last page of these instructions is a detailed drawing of the Main Circuit board. Identify and locate the HGB assembly in the top right corner of the circuit board. VR97 and R97 refer to the same POT. The POT may be blue, gray or yellow in color.

10. When you are ready, begin the Photometer adjustment as outlined above. You will have 30 seconds to position your precision flat head screw driver onto the small brass screw.

scil Technical Support

11. Once the number is displayed you can begin to turn the VR97 brass screw. Watch the screen to make sure the number is changing. When you reach 240 approximately, stop turning the screw and wait for the cycle to finish.
12. Place your cover back on the machine and close the door without putting the cover screws back in. Run a Start Up
13. If the Start up passed you can secure the cover to the machine with the screws and you are done!

1. Main board general view



scil Technical Support

